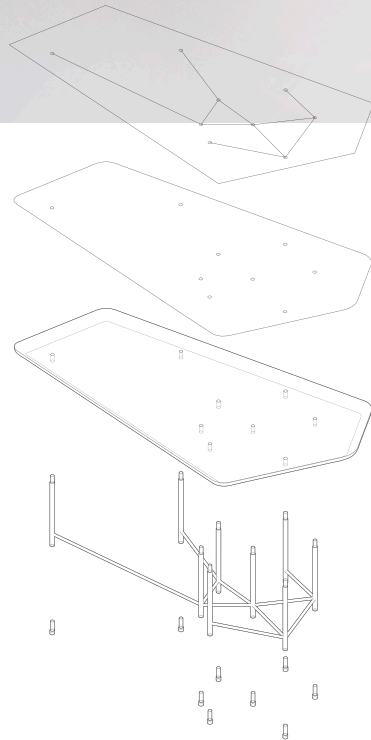


NNNN NNNN



SKELETON TABLE

A nine-legged coffee table interpreted from a user's body positions.

CNC milling is used as an extension of traditional woodworking. The table form is derived from a user's skeleton data which is live-tracked with a Kinect. The perimeter of the table top is defined by the lines drawn from a user's head, hands and feet. The table legs are derived from the joint positions and the bracing between the legs are the limbs of the user's skeleton.

DESIGN
2015

MATERIALS
Hard Maple, Steel

LEAD TIME
6-8 weeks

DESCRIPTION
Coffee table

FINISH
Powder coat

CONTACT
hi@nateasis.com

Custom configurations available. Contact for pricing.

